

# SHELL SERIES



## SHELL SERIES A202BL

SIZE: 59" X 31.5" X 27.5"

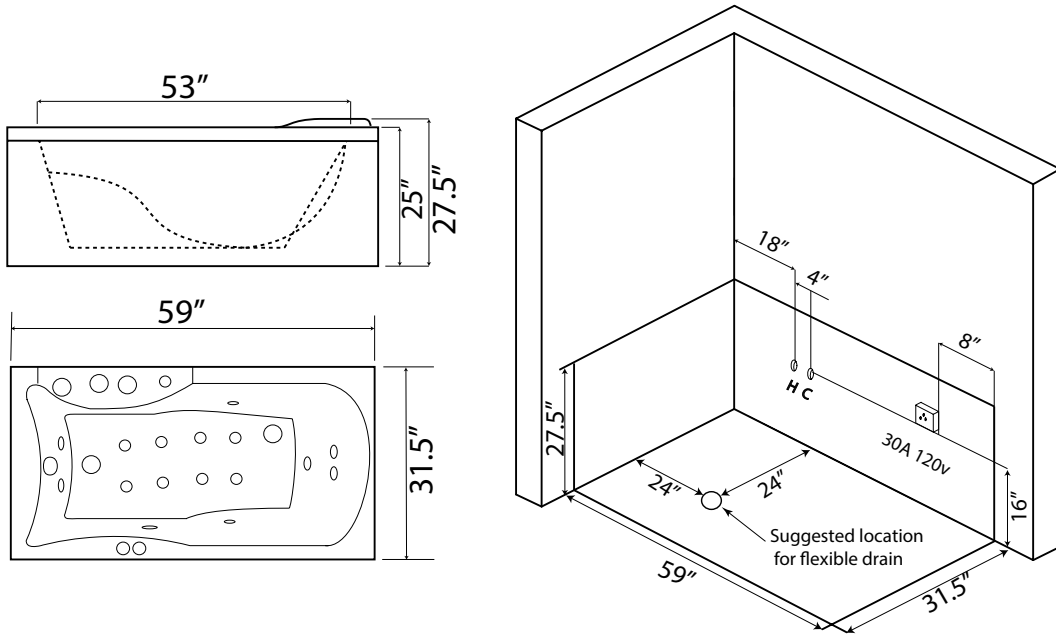
### Features

Computer control w/remote	Multi-colored LED tub lighting
Hydromassage jets	Air jets
Constant heat function	Pipe rinse system
Hand-held shower	Pipe drain system
Head cushion	Water pump protection feature
FM radio	



Products may not be exactly as shown. See store for details.

# SHELL SERIES

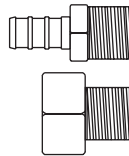


## A202BL

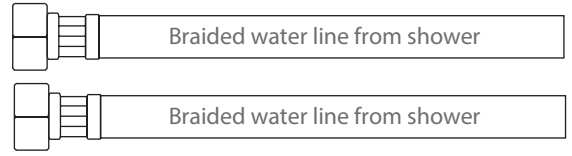
120v 30A GFCI Breaker  
 1/2" MIP for hot and cold water lines  
 1 1/2" Drain

### Water Line Connection

Pex Pipe → \*1/2" PEX x 1/2" MPT Adapter  
 Washing machine box → \*3/4" Hose x 1/2" MPT Adapter  
*\*(Connections not supplied)*



OR



### Electrical Connection

This hydromassage tub requires one dedicated 120v 30A GFCI circuit, using #10/2 wire. The massage tub should be hardwired into this circuit using a 4"x4" junction box installed at the approximate location shown.

### Flexible Drain Hose Connection

*\*(Connections not supplied)*

