

# WHALE SERIES



---

## WHALE SERIES A910L

SIZE: 67" X 37.5" X 51"

---

### Features

Computer control w/ remote

Multi-colored LED tub lighting

Hydromassage jets

Air jets

Constant heat function

Pipe rinse system

Hand-held shower

Pipe drain system

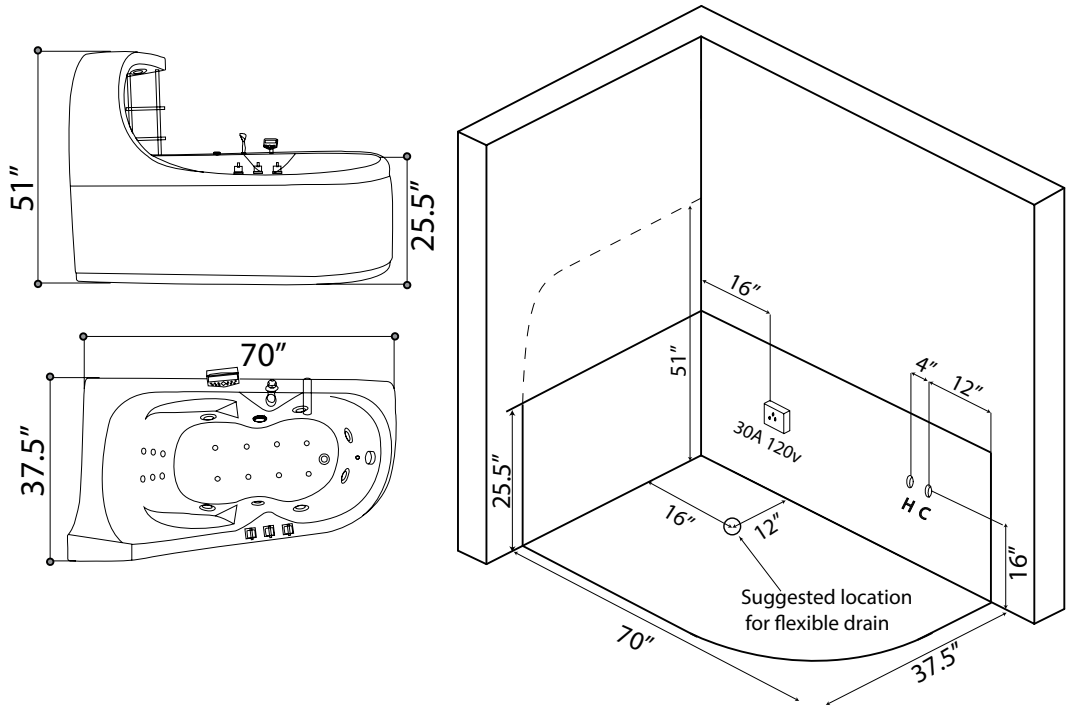
Overhead rain shower

Water pump protection feature

FM radio

---

# WHALE SERIES

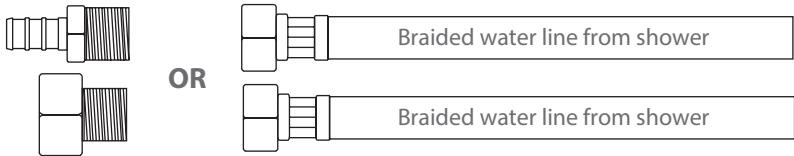


## A910L

120v 30A GFCI Breaker  
 1/2" MIP for hot and cold water lines  
 1 1/2" Drain

### Water Line Connection

Pex Pipe → \*1/2" PEX x 1/2" MPT Adapter  
 Washing machine box → \*3/4" Hose x 1/2" MPT Adapter  
*\*(Connections not supplied)*



### Electrical Connection

This hydromassage tub requires one dedicated 120v 30A GFCI circuit, using #10/2 wire. The massage tub should be hardwired into this circuit using a 4"x4" junction box installed at the approximate location shown.

### Flexible Drain Hose Connection

*\*(Connections not supplied)*

