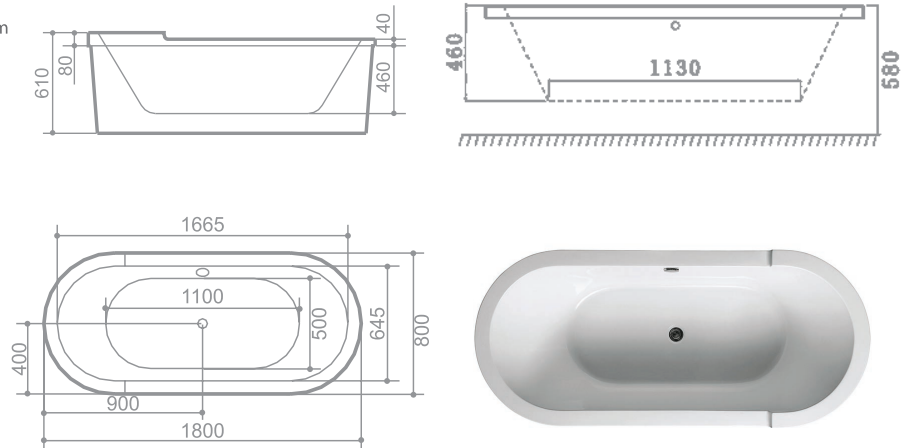




M605

SIZE: 1800 x 800 x 610mm



LEGEND MILLIMETERS TO INCHES CONVERSION: $MM \times 0.0394 = INCHES$