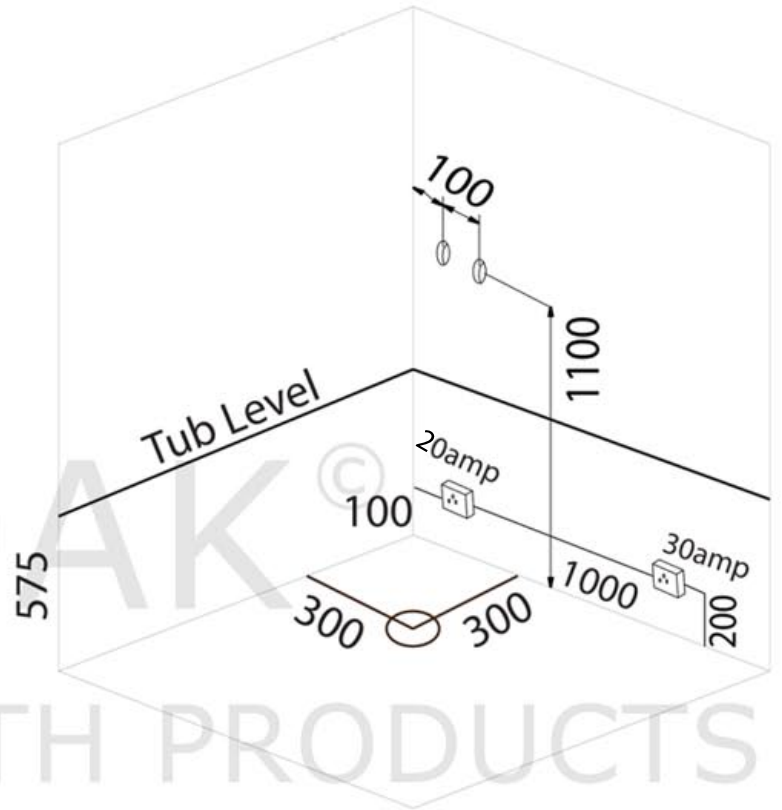
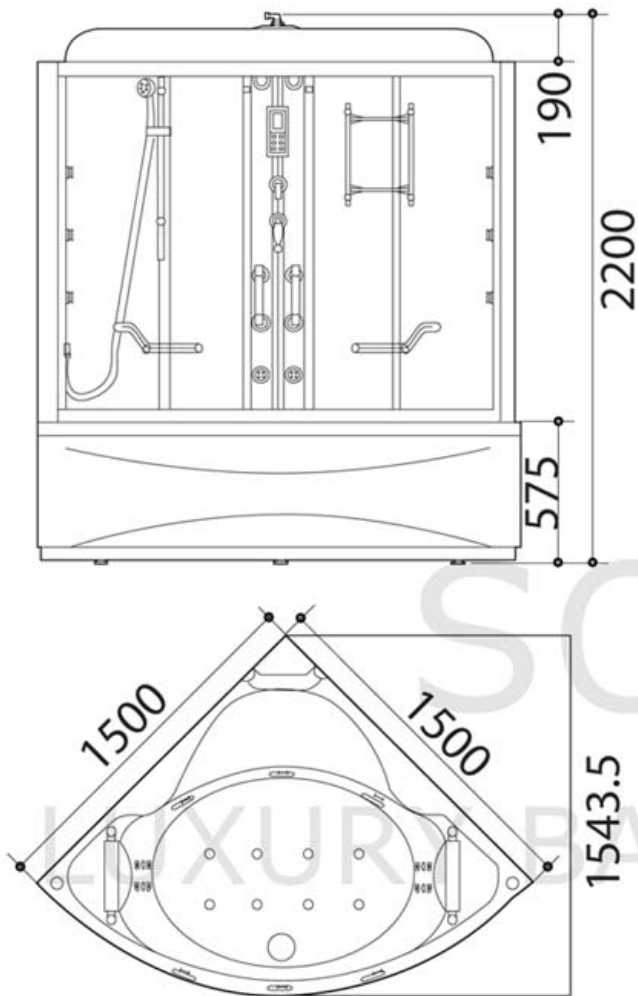


B612



1500x1500x2200

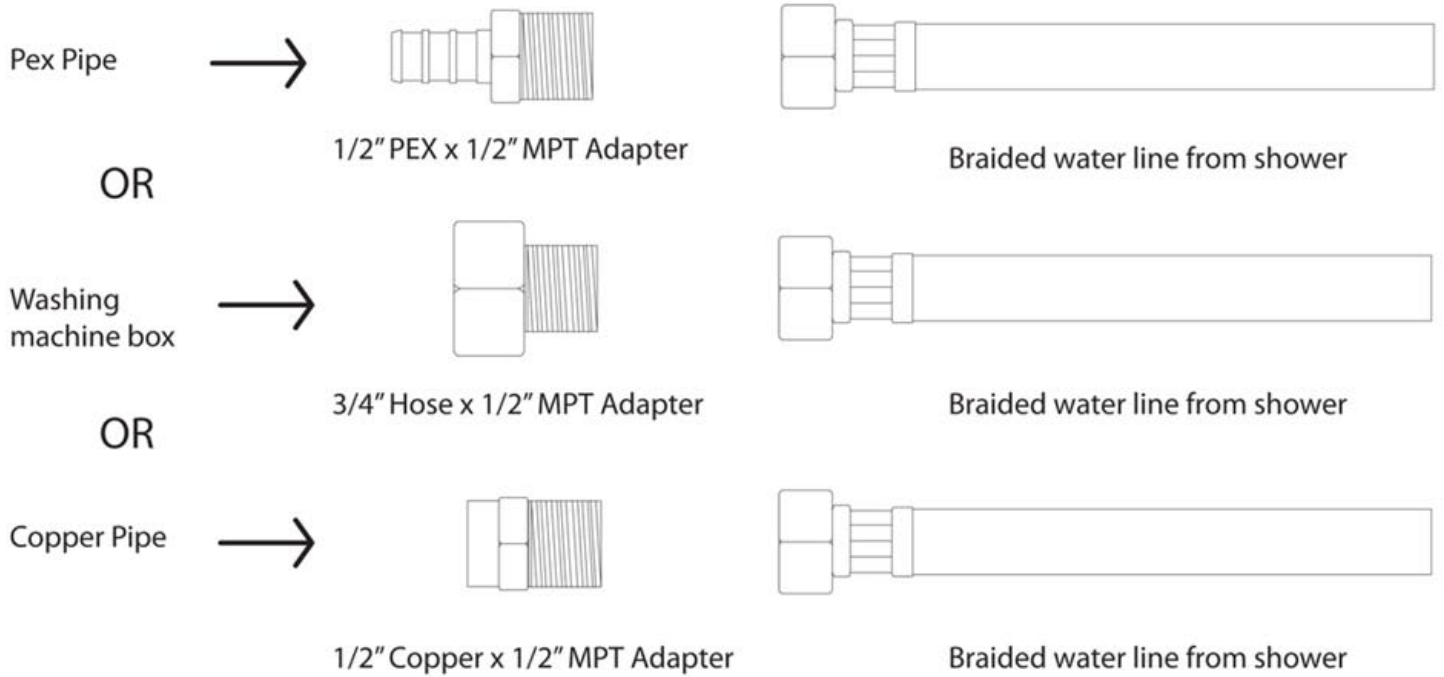
220-240V 20 amp GFI breaker for shower

120v 30amp GFI Breaker for tub

1/2" MIP For hot and cold water lines

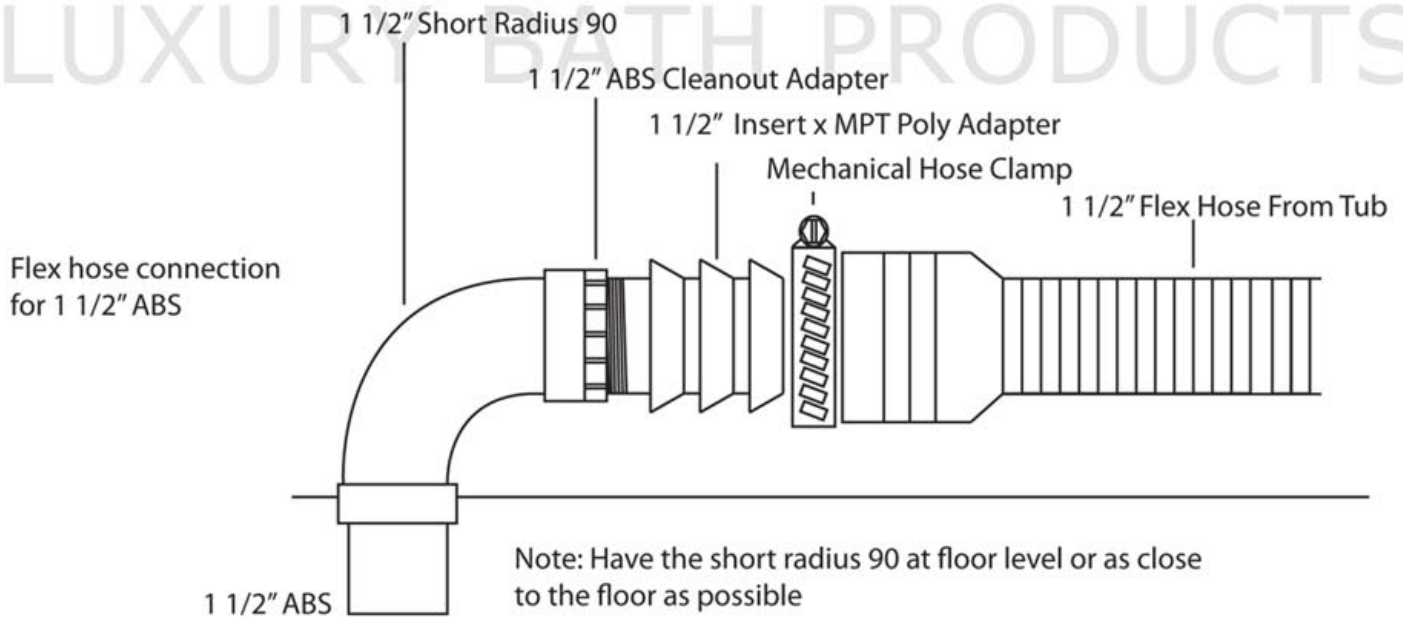
1 1/2" Drain

Water Line Connections



When running PEX lines stub them out as short as possible or angle them along the wall to ensure the unit has room to be moved into place, and to ensure the braided lines don't get kinked.

Drain Connection



Electrical Connections

This steam shower requires 2 separate circuits, one 220-240V 20 amp GFI for the steam portion, and one 110v 30 amp GFI for the tub portion. The shower will be hardwired into these circuits using junction boxes installed at the specified locations on the previous page.