

SHELL SERIES



SHELL SERIES A408R

SIZE: 71" X 35.5" X 30.5"

Features

Computer control w/remote

Multi-colored LED tub lighting

Hydromassage jets

Air jets

Constant heat function

Pipe rinse system

Hand-held shower

Pipe drain system

Head cushion

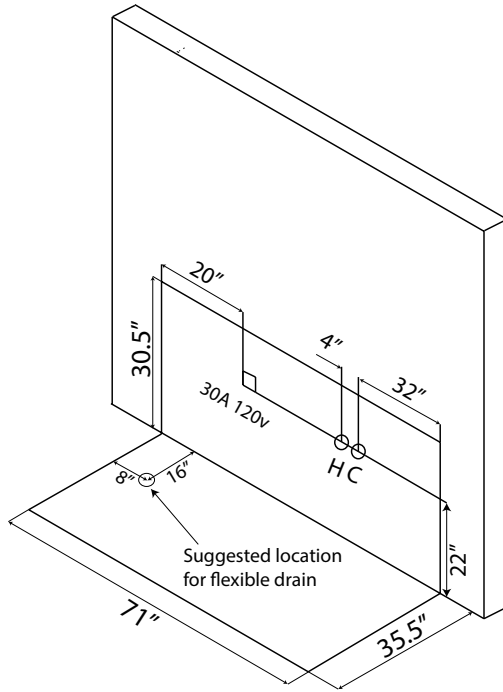
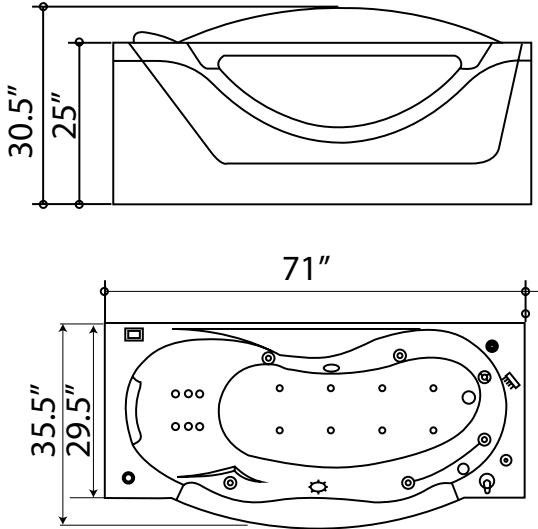
Water pump protection feature

FM radio



Products may not be exactly as shown. See store for details.

SHELL SERIES

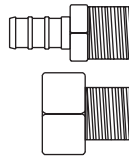


A408R

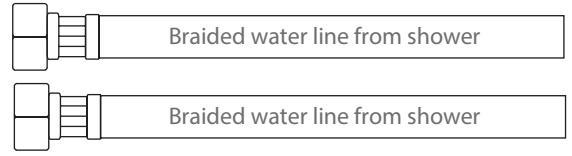
- 120v 30A GFCI Breaker
- 1/2" MIP for hot and cold water lines
- 1 1/2" Drain

Water Line Connection

- Pex Pipe → *1/2" PEX x 1/2" MPT Adapter
 - Washing machine box → *3/4" Hose x 1/2" MPT Adapter
- *(Connections not supplied)*



OR



Electrical Connection

This hydromassage tub requires one dedicated 120v 30A GFCI circuit, using #10/2 wire. The massage tub should be hardwired into this circuit using a 4"x4" junction box installed at the approximate location shown.

Flexible Drain Hose Connection

**(Connections not supplied)*

