

WHALE SERIES



WHALE SERIES A910R

SIZE: 67" X 37.5" X 51"

Features

Computer control w/ remote

Multi-colored LED tub lighting

Hydromassage jets

Air jets

Constant heat function

Pipe rinse system

Hand-held shower

Pipe drain system

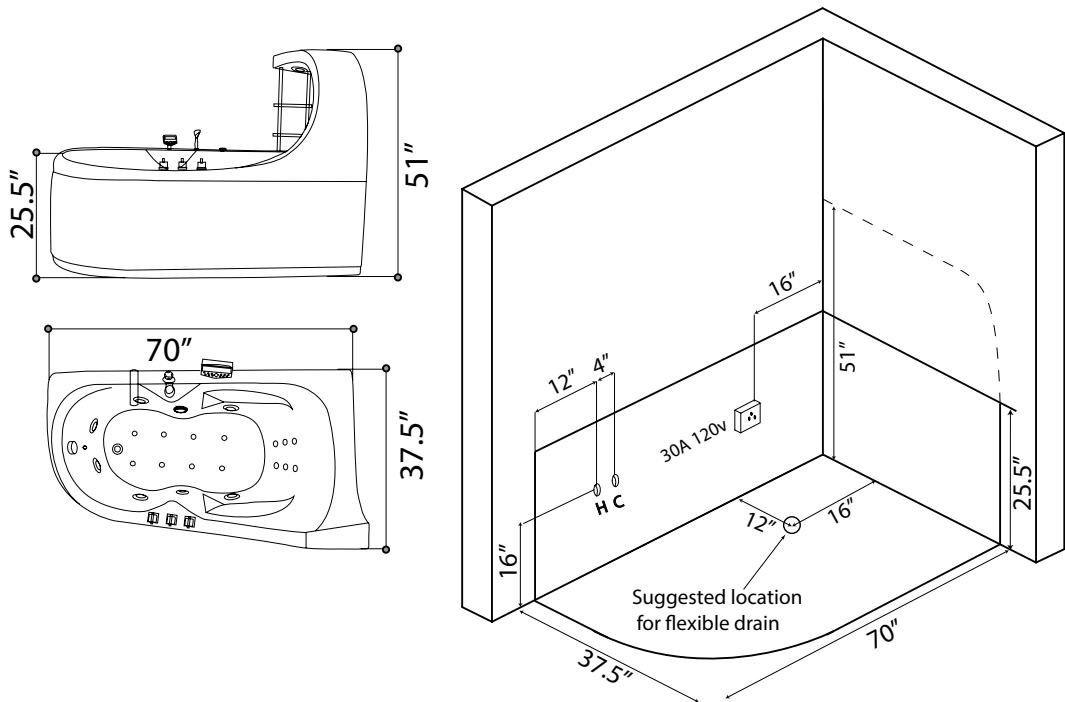
Overhead rain shower

Water pump protection feature

FM radio

Products may not be exactly as shown. See store for details.

WHALE SERIES

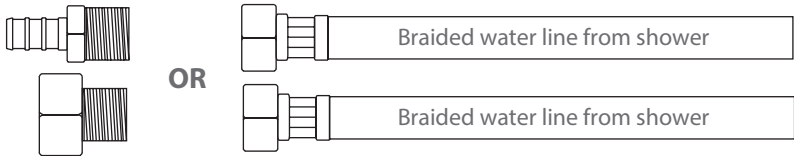


A910R

120v 30A GFCI Breaker
 1/2" MIP for hot and cold water lines
 1 1/2" Drain

Water Line Connection

Pex Pipe → *1/2" PEX x 1/2" MPT Adapter
 Washing machine box → *3/4" Hose x 1/2" MPT Adapter
**(Connections not supplied)*



Electrical Connection

This hydromassage tub requires one dedicated 120v 30A GFCI circuit, using #10/2 wire. The massage tub should be hardwired into this circuit using a 4"x4" junction box installed at the approximate location shown.

Flexible Drain Hose Connection

**(Connections not supplied)*

