

# SHELL SERIES



## SHELL SERIES A111B

SIZE: 59" X 59" X 27"

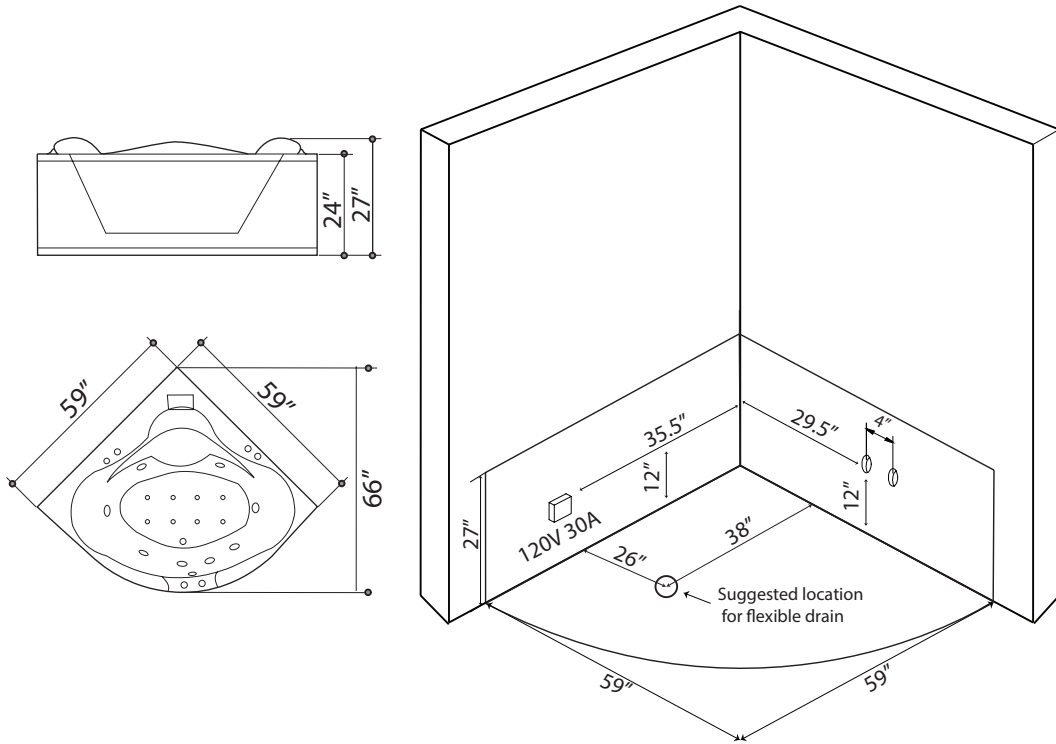
### Features

Computer control w/remote	Multi-colored LED tub lighting
Hydromassage jets	Air jets
Constant heat function	Pipe rinse system
Hand-held shower	Pipe drain system
Built-in seat	Water pump protection feature
FM and Bluetooth audio	Head cushions



Products may not be exactly as shown. See store for details.

# SHELL SERIES



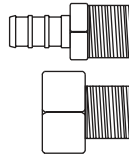
## A111B

120v 30A GFCI Breaker  
 1/2" MIP for hot and cold water lines  
 1 1/2" Drain

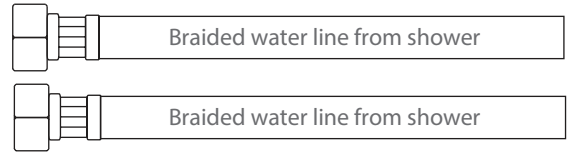
### Water Line Connection

Pex Pipe → \*1/2" PEX x 1/2" MPT Adapter  
 Washing machine box → \*3/4" Hose x 1/2" MPT Adapter

*\*(Connections not supplied)*



OR



### Electrical Connection

This hydromassage tub requires one dedicated 120v 30A GFCI circuit, using #10/2 wire. The massage tub should be hardwired into this circuit using a 4"x4" junction box installed at the approximate location shown.

### Flexible Drain Hose Connection

*\*(Connections not supplied)*

