

JAZZ SERIES



JAZZ SERIES AU1904ER

SIZE: 67" X 31.5" X 25"

Features

Computer control	Multi-colored LED tub lighting
Hydromassage jets	Air jets
Constant heat function	Pipe rinse system
Hand-held shower	Pipe drain system
Head cushion	Water pump protection feature

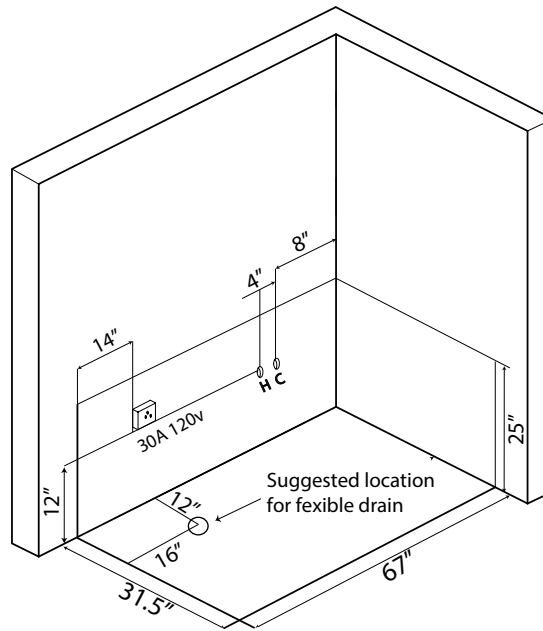
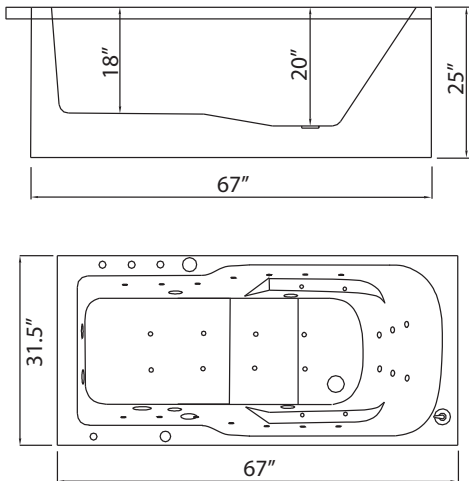
Options

Available in left or right hand models



Products may not be exactly as shown. See store for details.

JAZZ SERIES

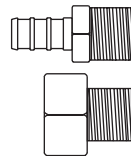


AU1904ER

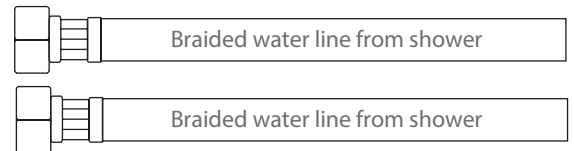
120v 30A GFCI Breaker for tub
 1/2" MIP for hot and cold water lines
 1 1/2" Drain

Water Line Connection

Pex Pipe → *1/2" PEX x 1/2" MPT Adapter
 Washing machine box → *3/4" Hose x 1/2" MPT Adapter
**(Connections not supplied)*



OR

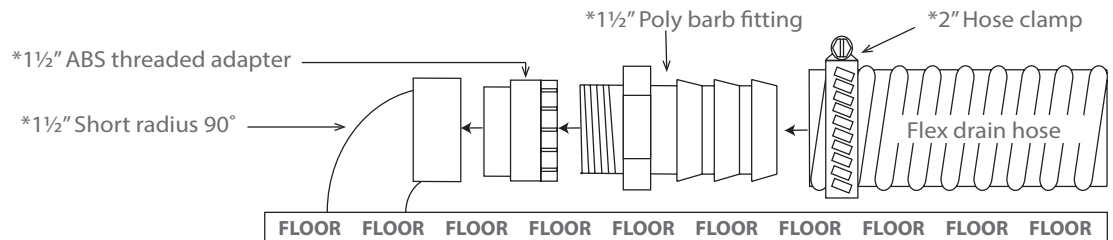


Electrical Connection

This hydromassage tub requires one dedicated 120v 30A GFCI circuit, using #10/2 wire. The massage tub should be hardwired into this circuit using a 4"x4" junction box installed at the approximate location shown.

Flexible Drain Hose Connection

**(Connections not supplied)*



Have the 90° elbow as close to the floor as possible for proper drainage slope.