

WHALE SERIES



WHALE SERIES A808

SIZE: 67" X 31.5" X 27.5"

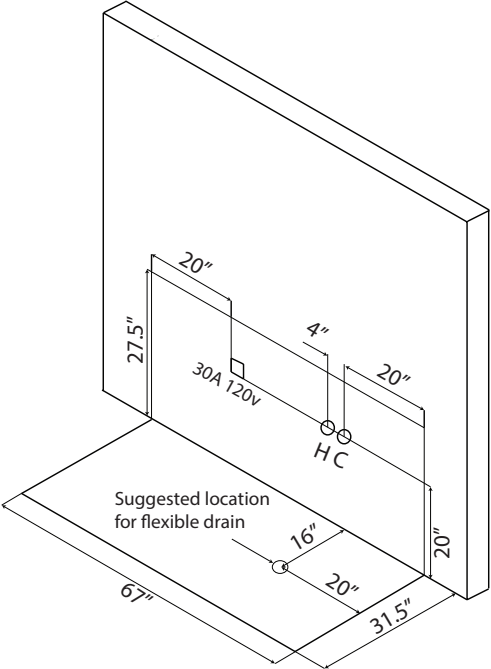
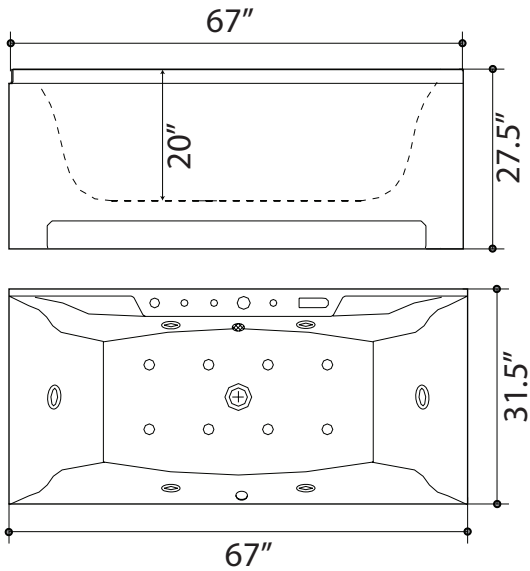
Features

| | |
|------------------------|--------------------------------|
| Computer control | Multi-colored LED tub lighting |
| Hydromassage jets | Air jets |
| Constant heat function | Pipe rinse system |
| Hand-held shower | Pipe drain system |
| Head cushions | Water pump protection feature |



Products may not be exactly as shown. See store for details.

WHALE SERIES

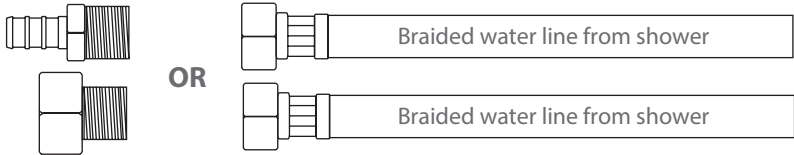


A808

120v 30A GFCI Breaker
 1/2" MIP for hot and cold water lines
 1 1/2" Drain

Water Line Connection

- Pex Pipe → *1/2" PEX x 1/2" MPT Adapter
 *(Connections not supplied)
- Washing machine box → *3/4" Hose x 1/2" MPT Adapter



Electrical Connection

This hydromassage tub requires one dedicated 120v 30A GFCI circuit, using #10/2 wire. The massage tub should be hardwired into this circuit using a 4"x4" junction box installed at the approximate location shown.

Flexible Drain Hose Connection

*(Connections not supplied)

