

BLUE SERIES



BLUE SERIES 821

SIZE: 59" X 59" X 90"

Features

Computer control w/remote

Overhead LED lighting

Steam w/temperature display

Back panel LED lighting

Overhead rain shower

FM and Bluetooth audio

Hand-held shower

Vent fan

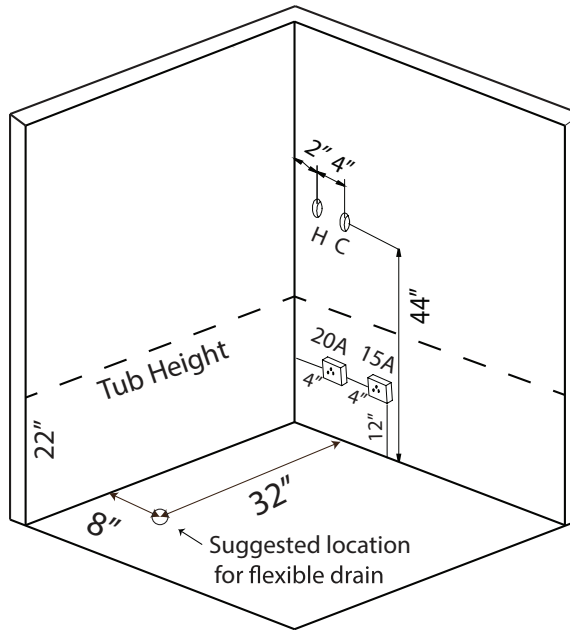
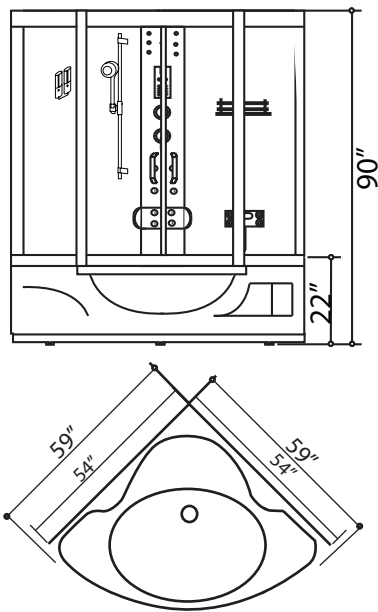
Foot massager

Alarm

Back jets

Hydromassage tub

BLUE SERIES



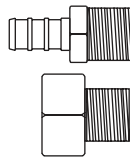
821

120v 20A GFCI breaker for shower
 120v 15A GFCI breaker for tub
 1/2" MIP for hot and cold water lines
 1 1/2" Drain

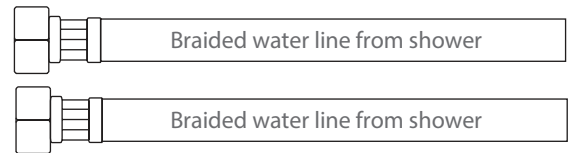
(Power and water rough-ins may be relocated on opposite walls)

Water Line Connection

Pex Pipe → *1/2" PEX x 1/2" MPT Adapter
 *(Connections not supplied)
 Washing machine box → *3/4" Hose x 1/2" MPT Adapter



OR



Electrical Connection

This steam shower requires two dedicated 120V GFCI circuits. One 120v 20A, using #12/2 wire for steam, and one 120v 15A, using #14/2 wire for massage tub. The shower should be hardwired to the panel using 4" x 4" junction boxes installed at the approximate locations shown.

Flexible Drain Hose Connection

*(Connections not supplied)

