

# BLUE SERIES



## BLUE SERIES 825

SIZE: 51" X 35" X 87"

### Features

Computer control w/remote

Overhead LED lighting

Steam w/temperature display

Back panel LED lighting

Overhead rain shower

FM/AUX input

Hand-held shower

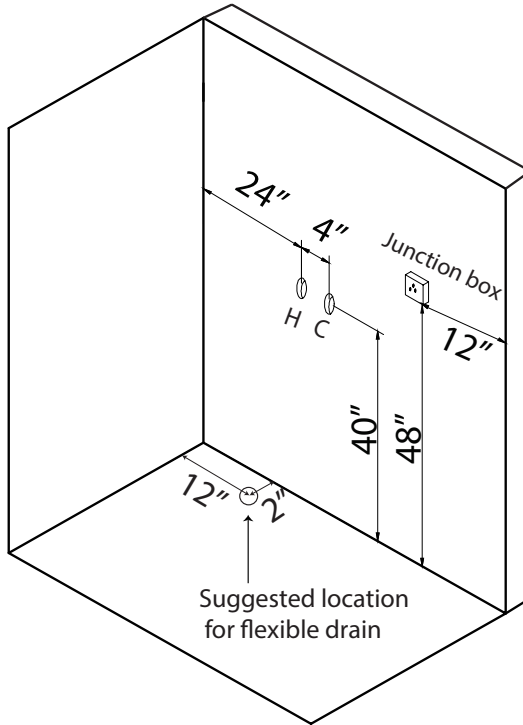
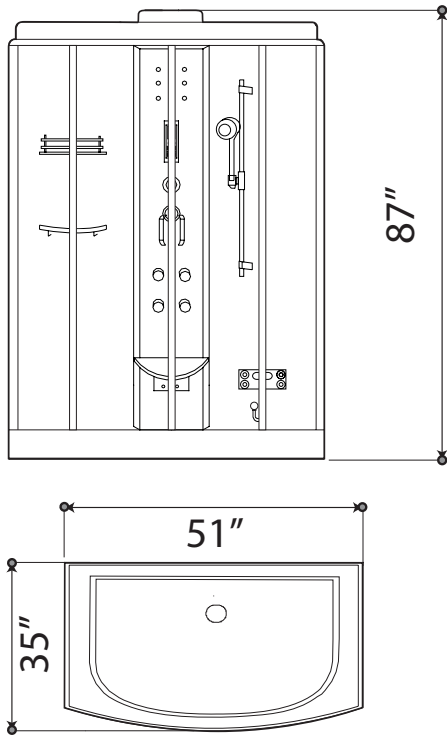
Vent fan

Foot massager

Alarm

Back jets

# BLUE SERIES

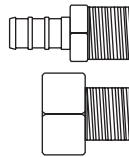


**825**

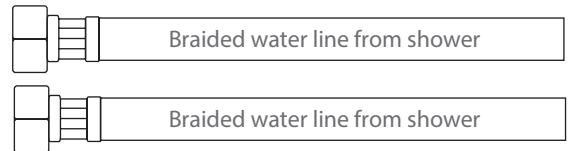
120v 20A GFCI breaker  
 1/2" MIP for hot and cold water lines  
 1 1/2" Drain

## Water Line Connection

Pex Pipe → \*1/2" PEX x 1/2" MPT Adapter  
 \*(Connections not supplied)  
 Washing machine box → \*3/4" Hose x 1/2" MPT Adapter



OR



## Electrical Connection

This steam shower requires one dedicated 120v 20A GFCI circuit, using #12/2 wire. The shower should be hardwired into this circuit using a 4"x4" junction box installed at the approximate location shown.

## Flexible Drain Hose Connection

