

LEGEND SERIES



LEGEND SERIES B1602L

SIZE: 47.5" X 31.5" X 87"

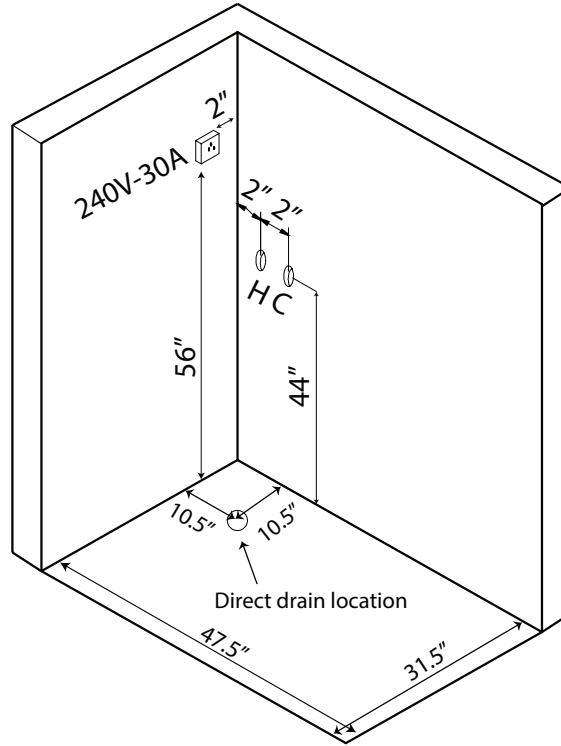
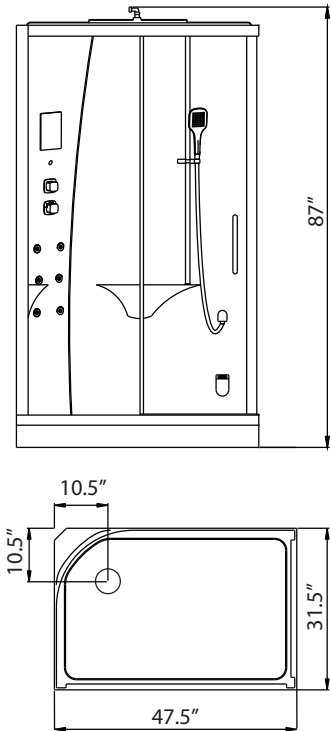
Features

Computer control w/remote	Overhead LED lighting
Steam w/temperature display	LED chromotherapy lighting
Overhead rain shower	Aromatherapy port
Hand-held shower	FM and Bluetooth audio
Back jets	Vent fan and alarm
Acrylic seat	Steam generator cleaning function
Decorative floorboards	

Options

Available in left or right hand models

LEGEND SERIES



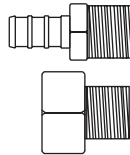
B1602L

240v 30A GFCI breaker
 1/2" MIP for hot and cold water lines
 2" Drain

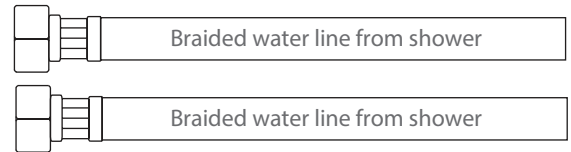
(Power and water rough-ins may be relocated on opposite walls)

Water Line Connection

Pex Pipe → *1/2" PEX x 1/2" MPT Adapter
 *(Connections not supplied)
 Washing machine box → *3/4" Hose x 1/2" MPT Adapter

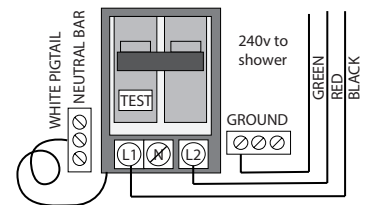


OR



Electrical Connection

This steam shower requires one dedicated 240v 30A GFCI circuit, using #10/2 wire. The shower should be hardwired into this circuit using a 4"x4" junction box installed at the approximate location shown.



Direct Drain Connection

Note:
 (Steam units may require additional 3/8" drain port)
 *(Connections not supplied)

