

LEGEND SERIES



LEGEND SERIES B616L

SIZE: 67" X 47.5" X 87"

Features

Computer control w/remote

Steam w/temperature display

Overhead rain shower

Hand-held shower

Back jets/side jets

Built-in seating

Foot massager

Hydromassage jets

Constant heat function

Colored LED tub lighting

Head rests

Option

Overhead LED lighting

LED chromatherapy lighting

Aromatherapy port

FM and Bluetooth audio

Vent fan and alarm

Steam generator cleaning function

Water pump protection feature

Air jets

Pipe rinse system

Pipe drain system

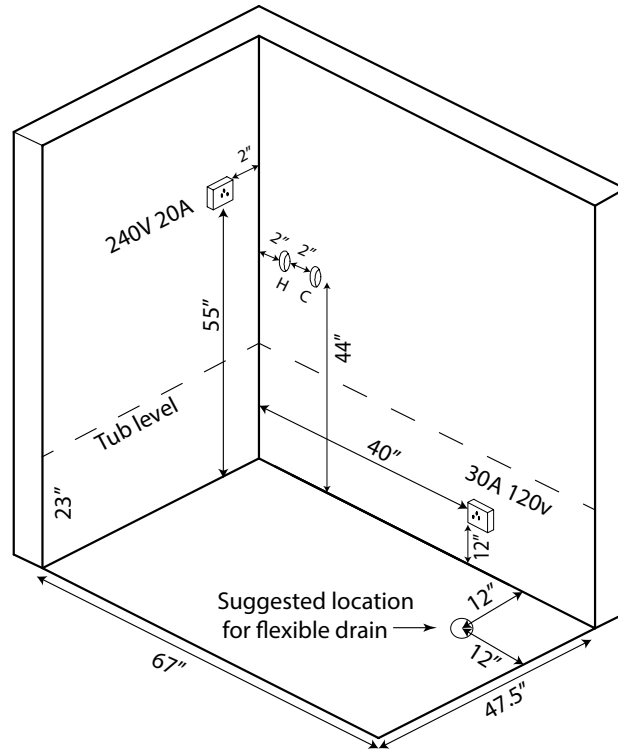
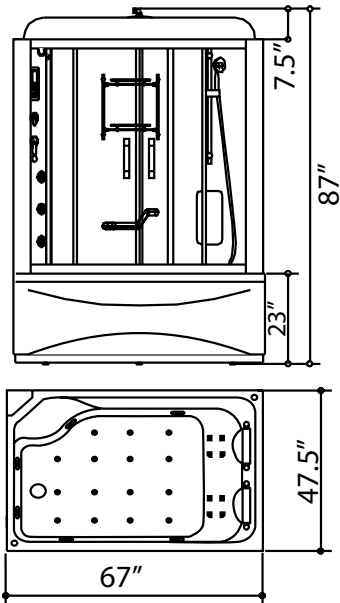
Waterfall tub filler

Available in left or right hand models



Products may not be exactly as shown. See store for details.

LEGEND SERIES



B616L

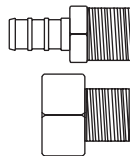
240v 20A GFCI breaker for shower
 120v 30A GFCI breaker for tub
 1/2" MIP for hot and cold water lines
 1 1/2" Drain

(240v power and water rough-ins may be relocated on opposite walls)

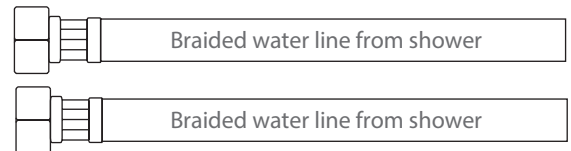
Water Line Connection

- Pex Pipe → *1/2" PEX x 1/2" MPT Adapter
- Washing machine box → *3/4" Hose x 1/2" MPT Adapter

*(Connections not supplied)

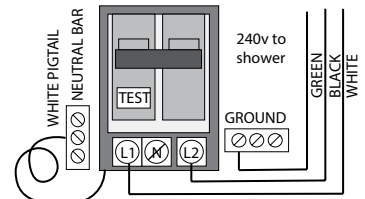


OR



Electrical Connection

This steam shower requires two dedicated circuits. One 240v 20A GFCI circuit, using #12/2 wire for steam, and one 120v 30A GFCI circuit, using #10/2 wire for the massage tub. The shower should be hard wired to the panel using 4"x4" junction boxes installed at the approximate locations shown.



Flexible Drain Hose Connection

*(Connections not supplied)

