

# LEGEND SERIES



## LEGEND SERIES BU611L

SIZE: 59" X 33.5" X 87.5"

### Features

Computer control w/remote	Overhead LED lighting
Steam w/temperature display	LED chromatherapy lighting
Overhead rain shower	Aromatherapy port
Hand-held shower	FM and Bluetooth audio
Back jets/side jets	Vent fan and alarm
Built-in seating	Steam generator cleaning function
Hydromassage jets	Air jets
Constant heat function	Water pump protection feature
Pipe rinse system	Pipe drain system
Head rest	Colored LED tub lighting

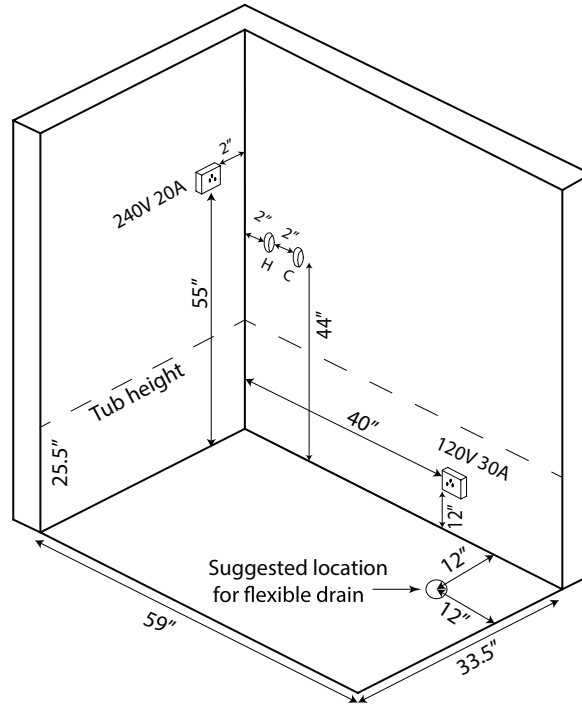
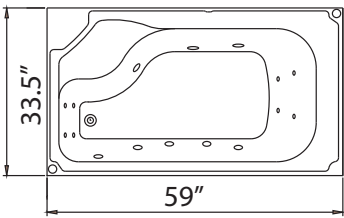
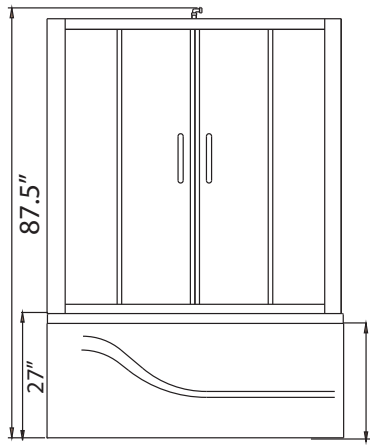
### Option

Available in left or right hand models



Products may not be exactly as shown. See store for details.

# LEGEND SERIES



## BU611L

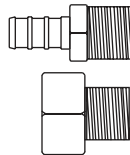
240v 30A GFCI breaker for shower  
 120v 30A GFCI breaker for tub  
 1/2" MIP for hot and cold water lines  
 1 1/2" Drain

(240v power and water rough-ins may be relocated on opposite walls)

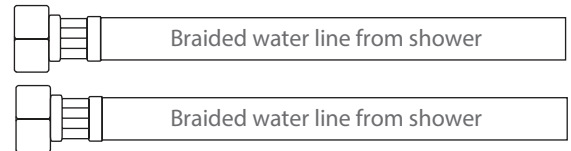
## Water Line Connection

- Pex Pipe → \*1/2" PEX x 1/2" MPT Adapter
- Washing machine box → \*3/4" Hose x 1/2" MPT Adapter

*\*(Connections not supplied)*

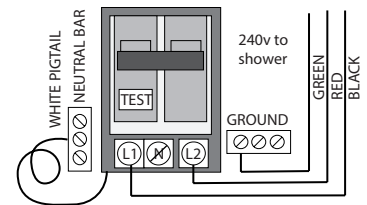


OR



## Electrical Connection

This steam shower requires two dedicated circuits. One 240v 30A GFCI circuit, using #10/2 wire for steam, and one 120v 30A GFCI circuit, using #10/2 wire for the massage tub. The shower should be hard wired to the panel using 4"x4" junction boxes installed at the approximate locations shown.



## Flexible Drain Hose Connection

*\*(Connections not supplied)*

