

BLUE SERIES



BLUE SERIES D02L

SIZE: 48" X 35.5" X 87"

Features

Computer control w/remote

Overhead LED lighting

Steam w/temperature display

Back panel LED lighting

Overhead rain shower

FM and Bluetooth audio

Hand-held shower

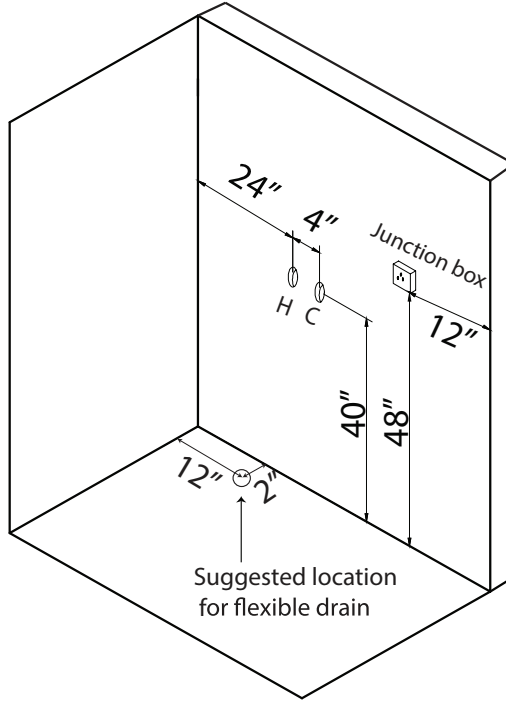
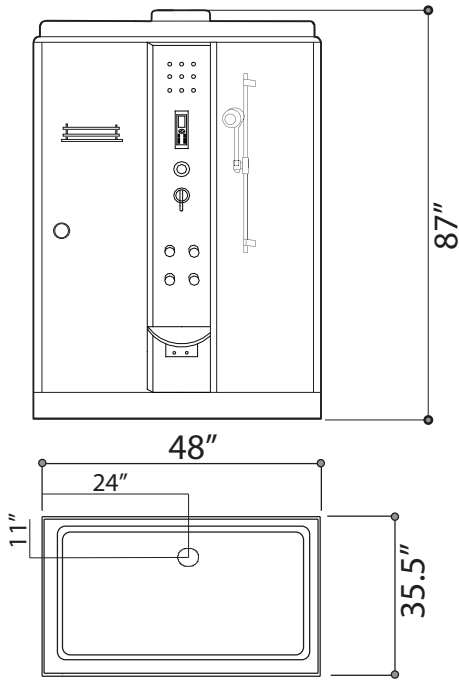
Vent fan

Folding seat

Alarm

Back jets

BLUE SERIES



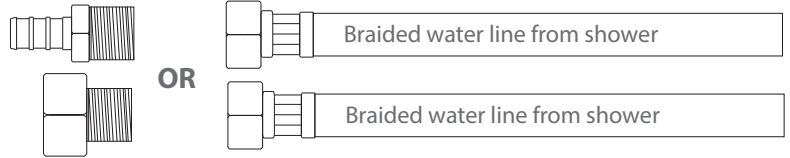
D02L

120v 20A GFCI breaker for shower
 1/2" MIP for hot and cold water lines
 1 1/2" Drain

Water Line Connection

Pex Pipe → *1/2" PEX x 1/2" MPT Adapter
 *(Connections not supplied)

Washing machine box → *3/4" Hose x 1/2" MPT Adapter



Electrical Connection

This steam shower requires one dedicated 120v 20A GFCI circuit, using #12/2 wire. The shower should be hardwired into this circuit using a 4"x4" junction box installed at the approximate location shown.

Flexible Drain Hose Connection

